

3D Printed RC Planes

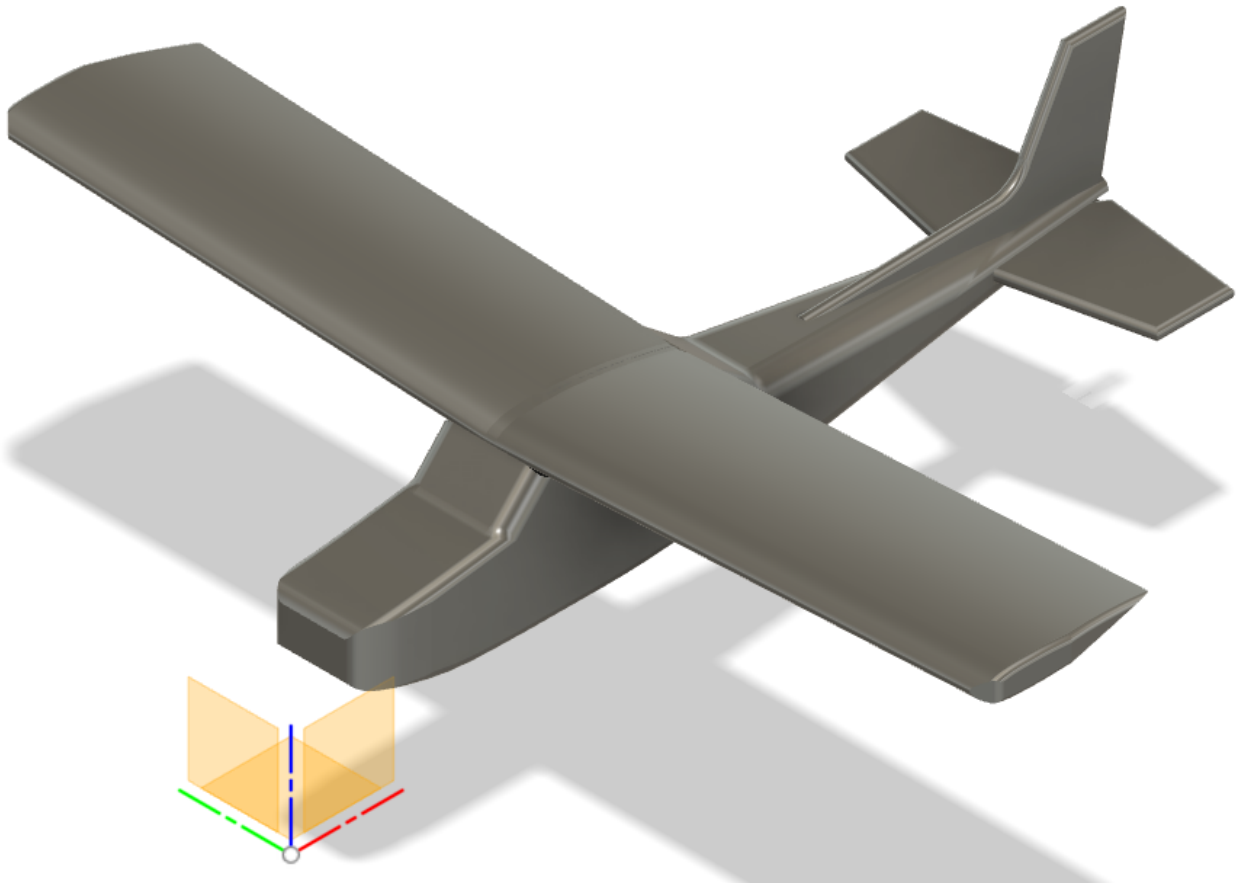
This section is the reference page for my 3D printed RC trainer plane. The idea began months ago when I stumbled upon this article on intractables on building a [RC DHC-2 Beaver](#).



I did a decent amount of work, but did not particularly like the accuracy of my hot glue gin process and the even weights I achieved with this approach. In the process of working with the concepts and trying to learn more about the technicalities of building RC planes, I found this [excellent free resource](#) with a lot of detailed info on the topic.

Messing about with my 3D printer, I discovered a new print material **Light Weight (LW) PLA** and the idea got new life again.

I did not simply want to download and print other peoples work. The journey is as important as the final result. So I started work on converting this model to a printable project.

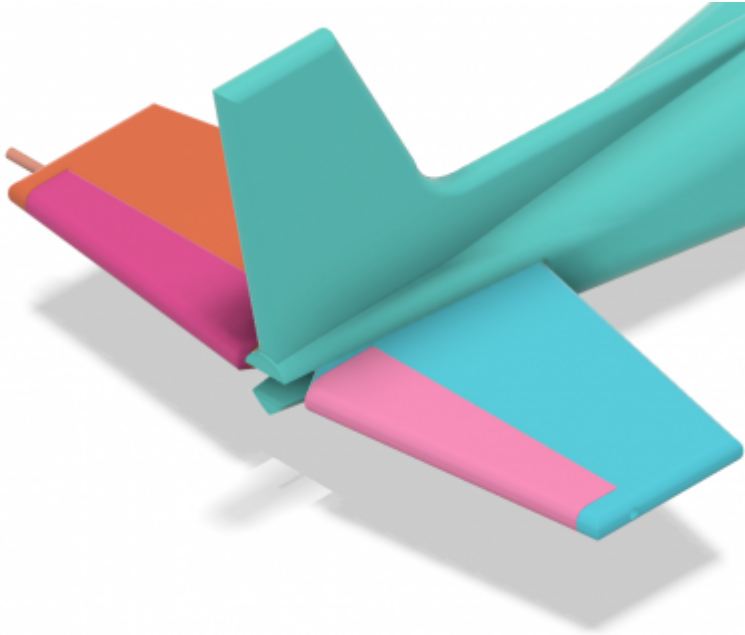


The wing span is just short of one meter and about 750mm nose to tip, so this needs to be chopped up in parts that will fit on my 3D print bed of 230 x 230 x 250.

Fusion 360 Plans

- [Large unsliced model - V4](#)

Slicer Formats



- Left Elevator
- Right Elevator
- Left Stabaliser
- Right Stabaliser

The gcode for all of the above:

- [elevators_and_stabalisers.gcode](#)

